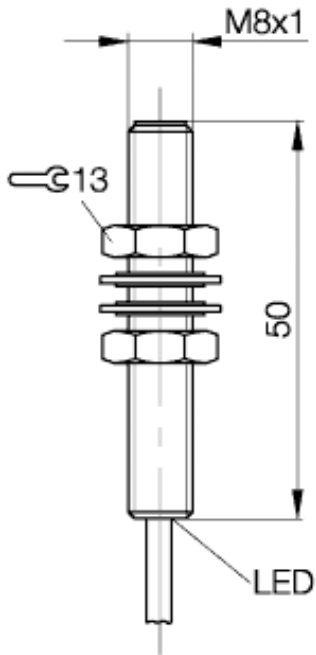


Photoelectric Sensor
BOS 08M-PS-PR10-03
Sn=550mm
Retroreflective



PX1926

Common Data

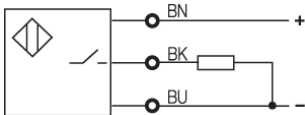
Series	08M
Sensortype	Retroreflective
Switching frequency	500 Hz
Rated operating distance Sn in mm	550
assured operating distance Sa	25...550
Indication Switching element on	yes, red LED
Ambient temperature	-10...+60°C
Off-delay	< 5ms
Light	Infrared, 640nm
Permissible ambient light	per EN 60947-5-2
Output function	dark-on

Mechanical Data

Measurements	M8x50
Housing material	nickel plated brass
Material of sensing face	PMMA
Degree of protection	IP67
Connection	Cable
Weigth	47g
Type of Cable	PUR, 3x0,14mm ²

Electrical Data

Current	DC
Switching function	normally-open
Output	PNP
Rated operational current Ie	100mA
Supply Voltage	10...30V DC
Ripple	< 10% from UB
Frequency of Supply Voltage	DC
No-load supply current	<20mA
Voltage drop	<2V
Short protection	yes
Protected against polarity reversal	yes



Utilization categories
 Insulation class

DC 13

Datasheet number:

Definitions see general catalog.
 If not otherwise noted, ratings according to
 IEC 60947-5-2 (DIN EN60947-5-2)

Balluff GmbH
 Schurwaldstrasse 9
 73765 Neuhausen a.d.F.
 Phone (07158) 173-0 Fax (07158) 5010

Datenblatt by CD-ROM - 04/2007

BALLUFF
sensors worldwide